

Humidity Sensors HIH Series

RELATIVE HUMIDITY

CAUTION

PRODUCT DAMAGE

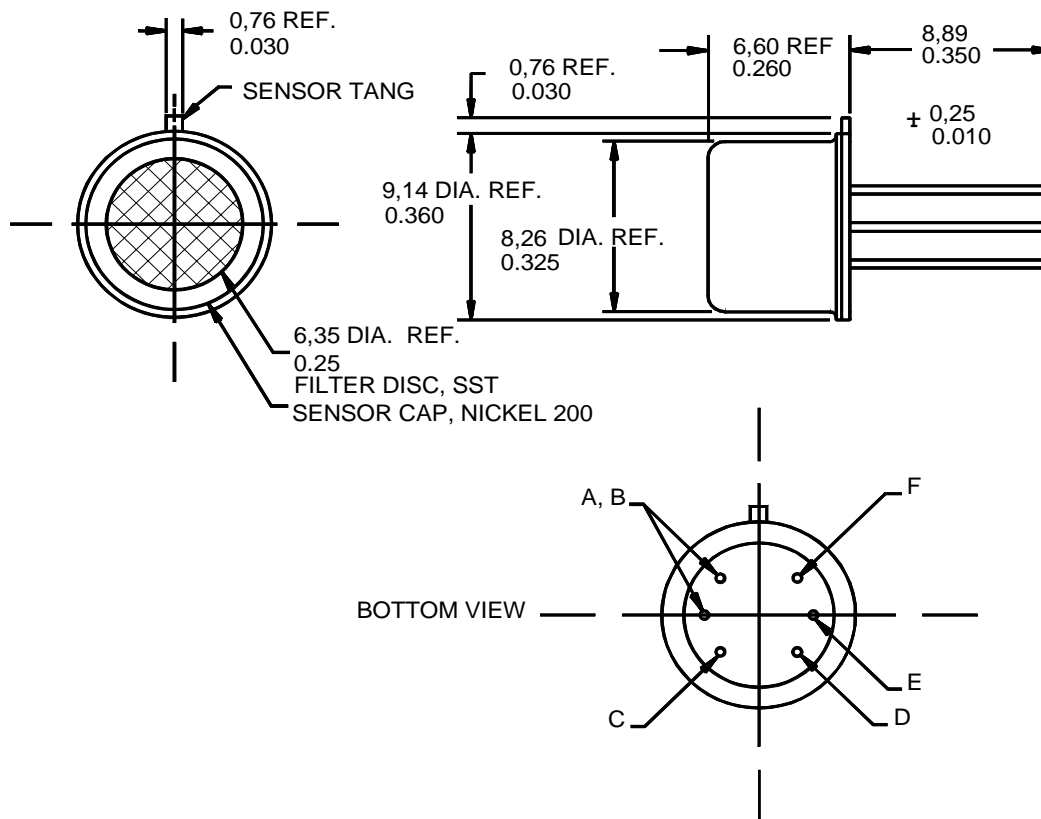
The inherent design of this component causes it to be sensitive to electrostatic discharge (ESD). To prevent ESD-induced damage and/or degradation, take normal ESD precautions when handling this product.

NIST CALIBRATION

Each HIH-3602-A or HIH-3602-C sensor includes an individual calibration and data printout. Sensors are not individually serialized.

MOUNTING DIMENSIONS (for reference only) mm/in

HIH-3602-A and HIH-3602-C

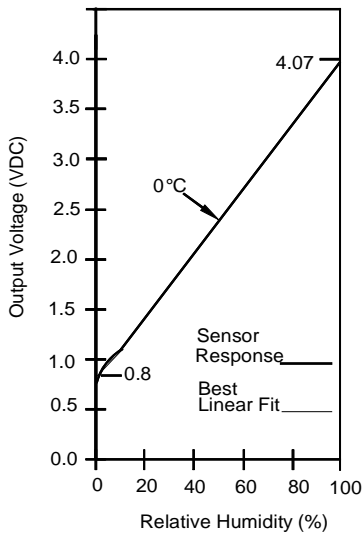


INTERNAL PIN CONNECTIONS

| 0,46 mm [0.018 in] dia. lead gold plated (6 places) | |
|---|---|
| A, B | (IH-3602-A) Thermistor for temperature compensation |
| A, B | (IH-3602-C) RTD for temperature compensation |
| C | +VDC supply |
| D | (-) Power or ground |
| E | VDC out |
| F | Case ground |

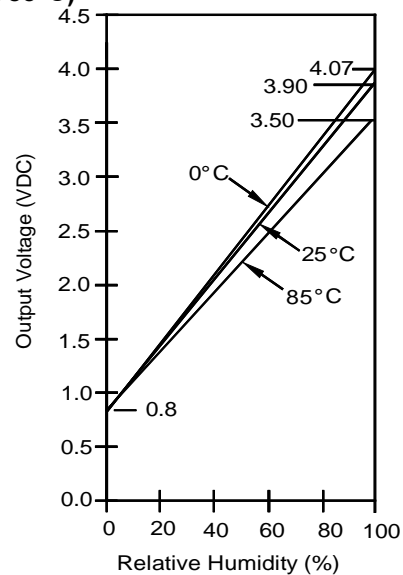
RELATIVE HUMIDITY

OUTPUT VOLTAGE vs. RELATIVE HUMIDITY (at 0°C)



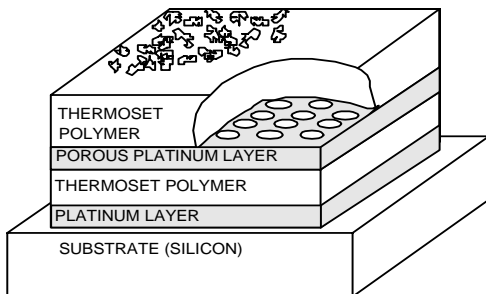
Humidity Sensors H1H Series

OUTPUT VOLTAGE vs. RELATIVE HUMIDITY (at 0°C, 25°C, and 85°C)



RH SENSOR CONSTRUCTION

Sensor construction consists of a planar capacitor with a second polymer layer to protect against dirt, dust, oils and other hazards.



WARRANTY and REMEDY

Honeywell warrants goods of its manufacture as being free of defective materials and faulty workmanship. Contact your local sales office for warranty information. If warranted goods are returned to Honeywell during the period of coverage, Honeywell will repair or replace without charge those items it finds defective. The foregoing is Buyer's sole remedy and is **in lieu of all other warranties, expressed or implied, including those of merchantability and fitness for a particular purpose.**

Specifications may change at any time without notice. The information we supply is believed to be accurate and reliable as of this printing. However, we assume no responsibility for its use.

While we provide application assistance, personally, through our literature and the Honeywell website, it is up to the customer to determine the suitability of the product in the application.

For application assistance, current specifications, or name of the nearest Authorized Distributor, contact a nearby sales office. Or call:

1-800-537-6945 USA
1-800-737-3360 Canada

Honeywell

MICRO SWITCH

Honeywell Inc.
11 West Spring Street
Freeport, Illinois 61032

